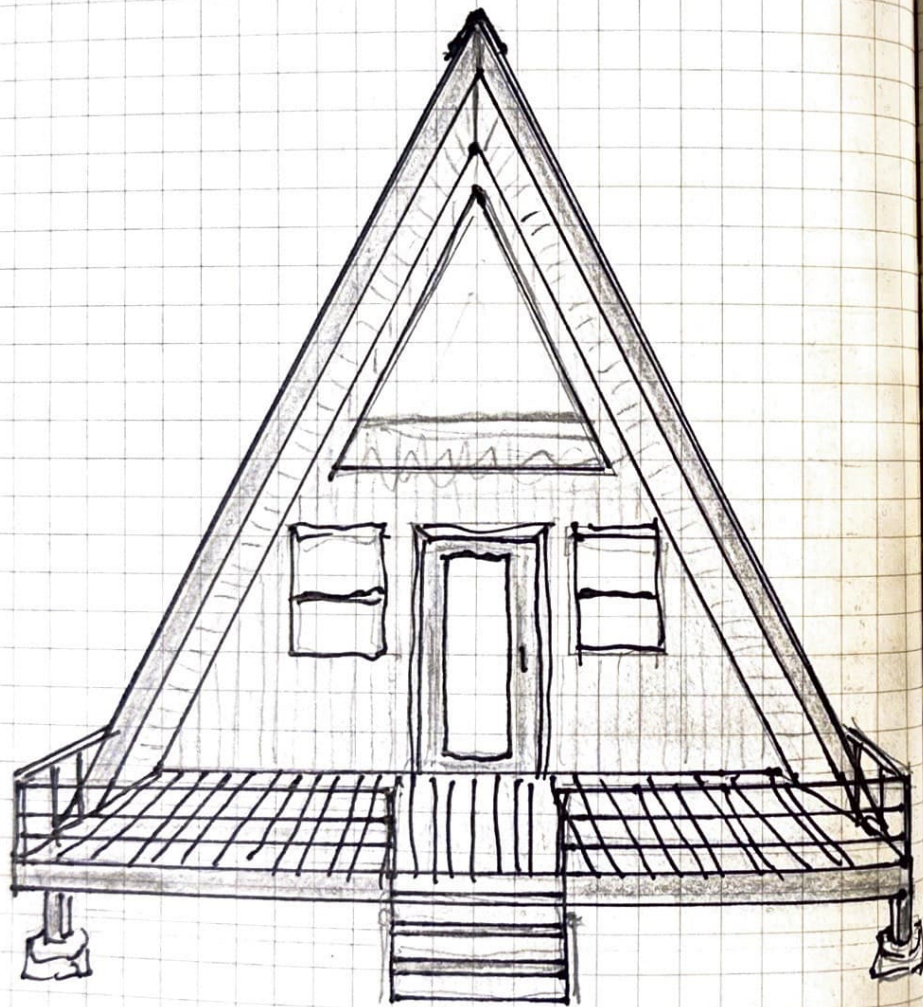
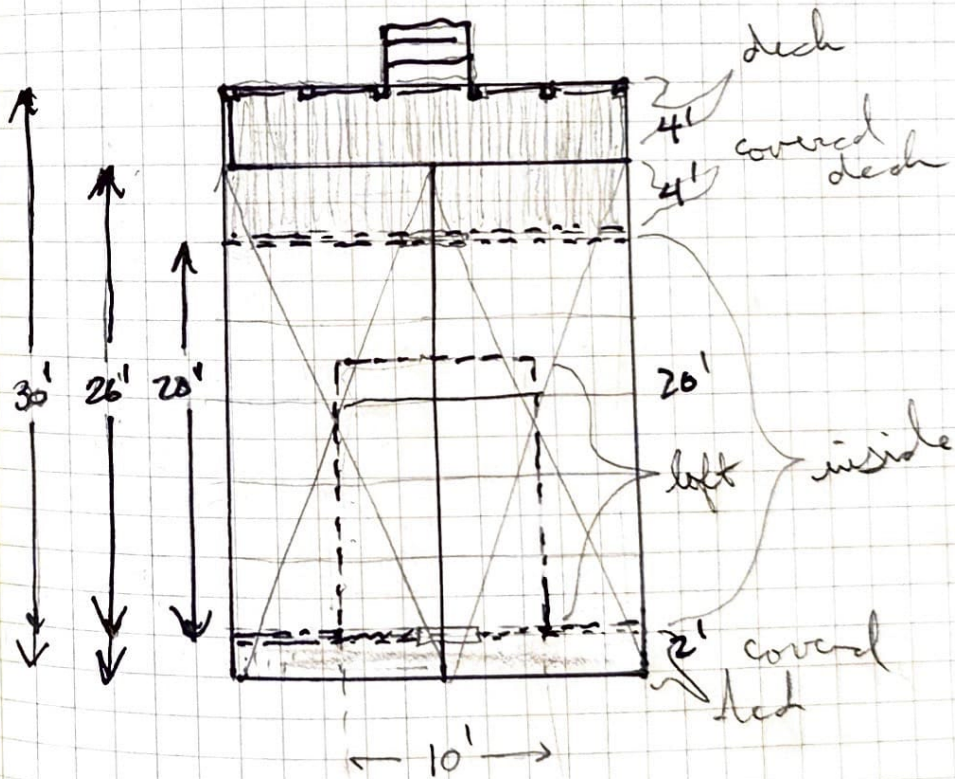
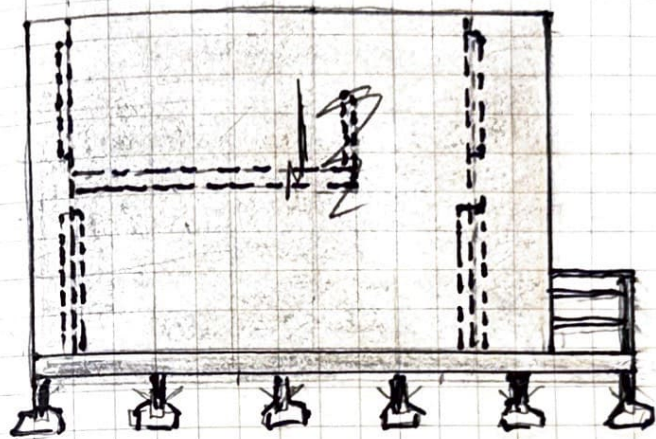



Black Rock

A FRAME

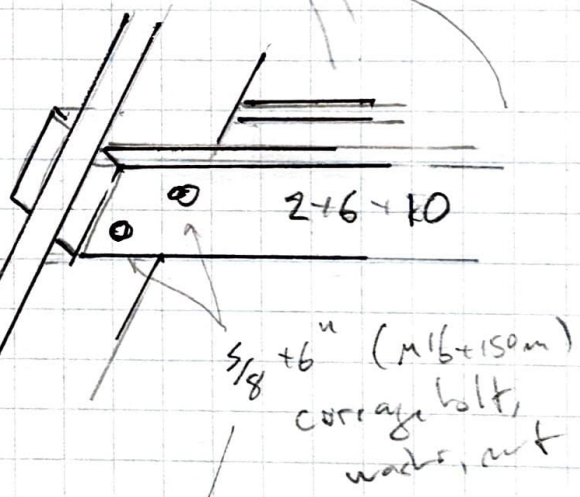
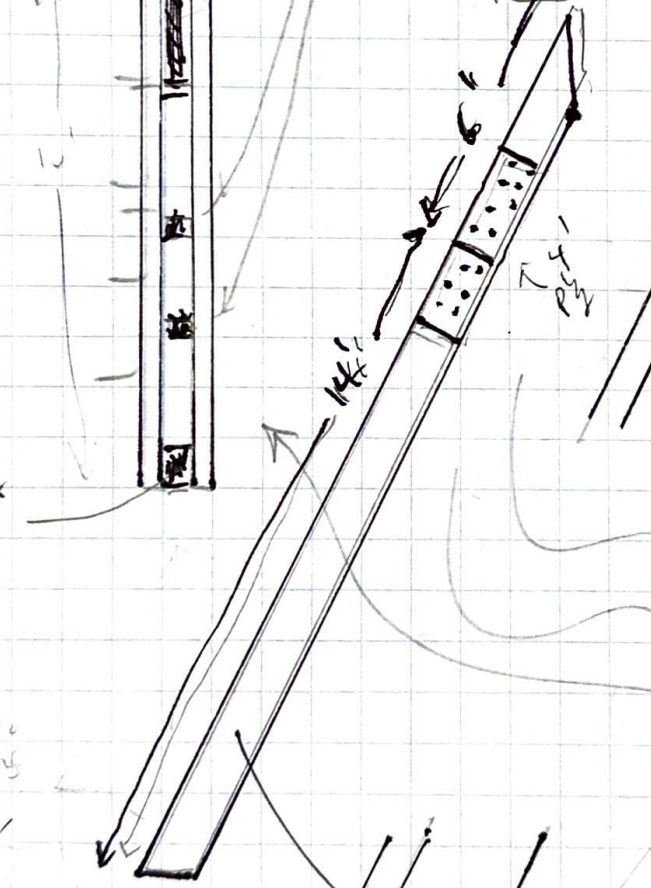
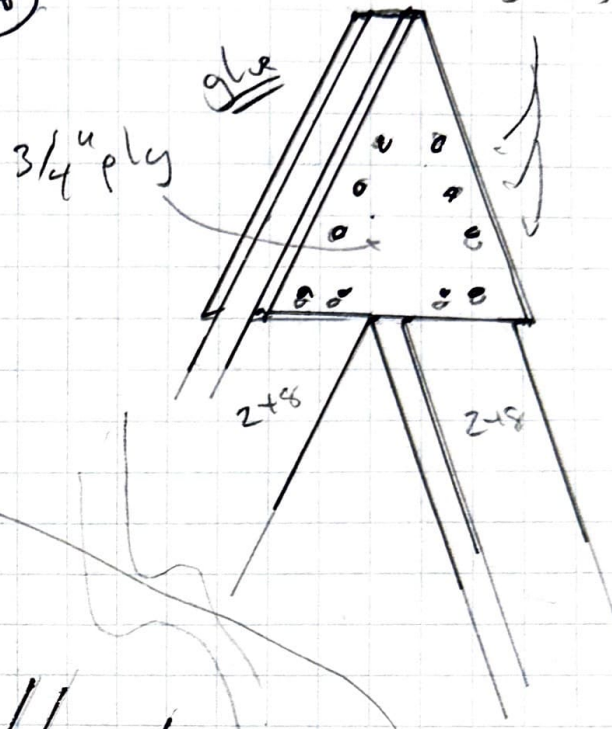


2



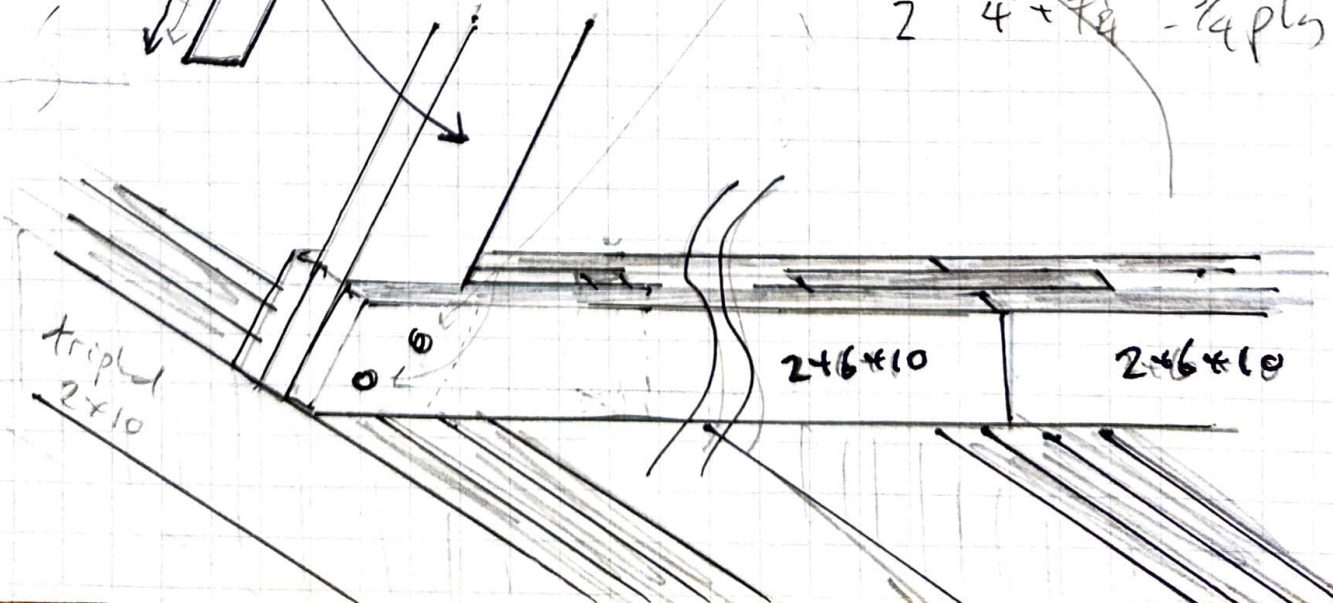
Triangles +  (A)

20 + 1 ^{3/4}" #8 wood screws

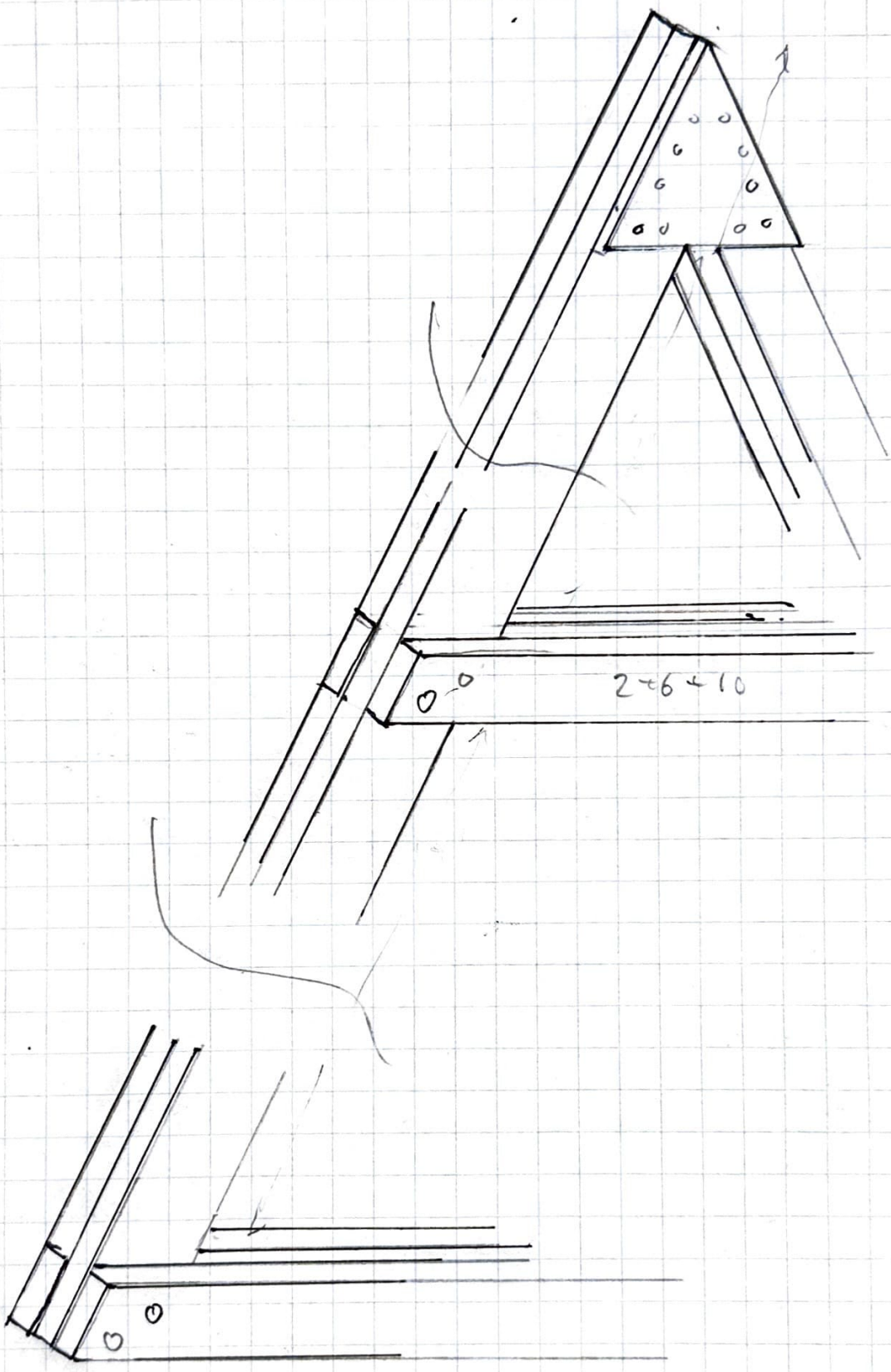


- 2x8x16 (2)
- 2x8x12 (1)
- 2x6x10

2 4' x 7 1/2" 3/4" ply

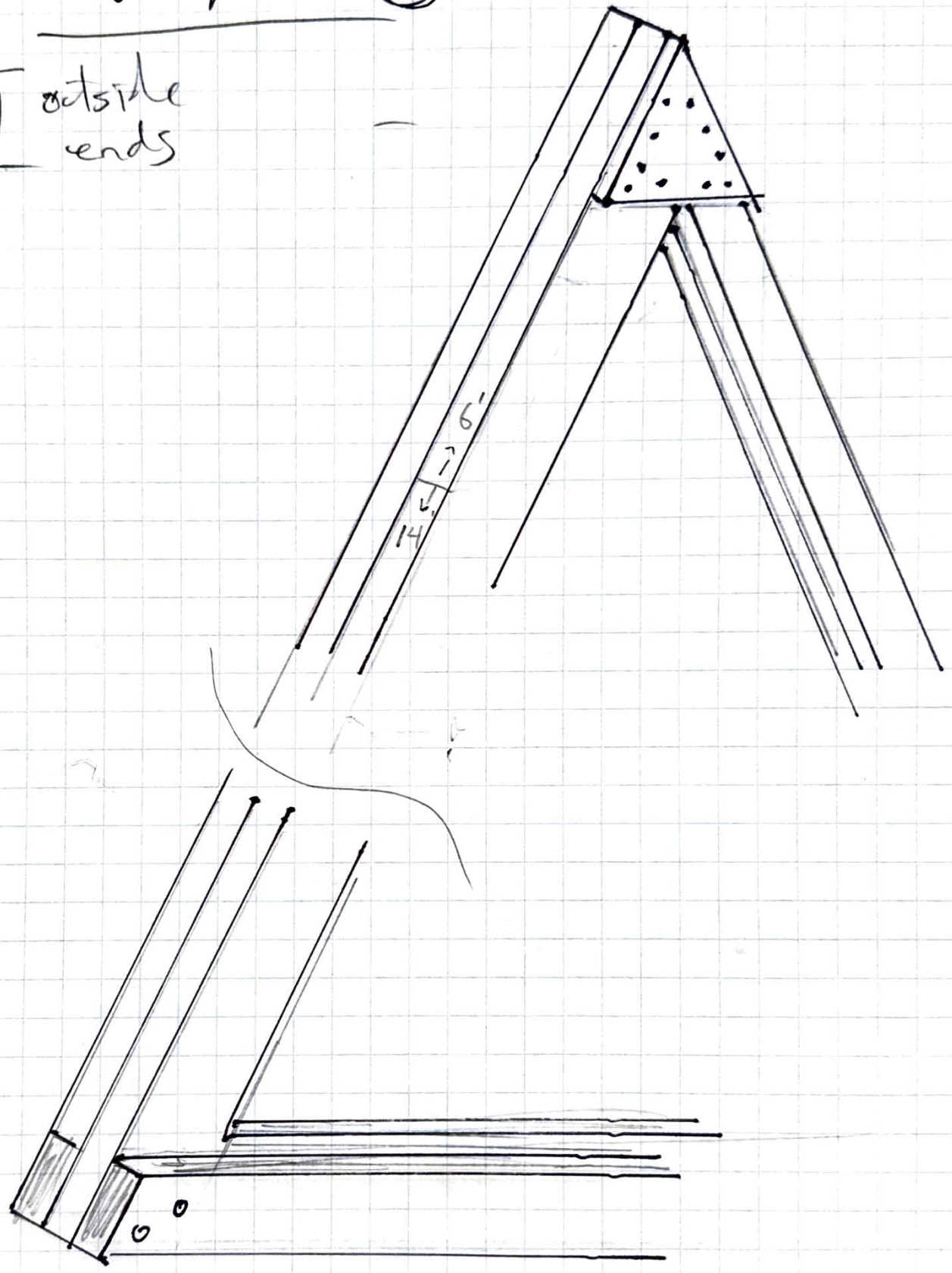


Triangles + 2 (B)

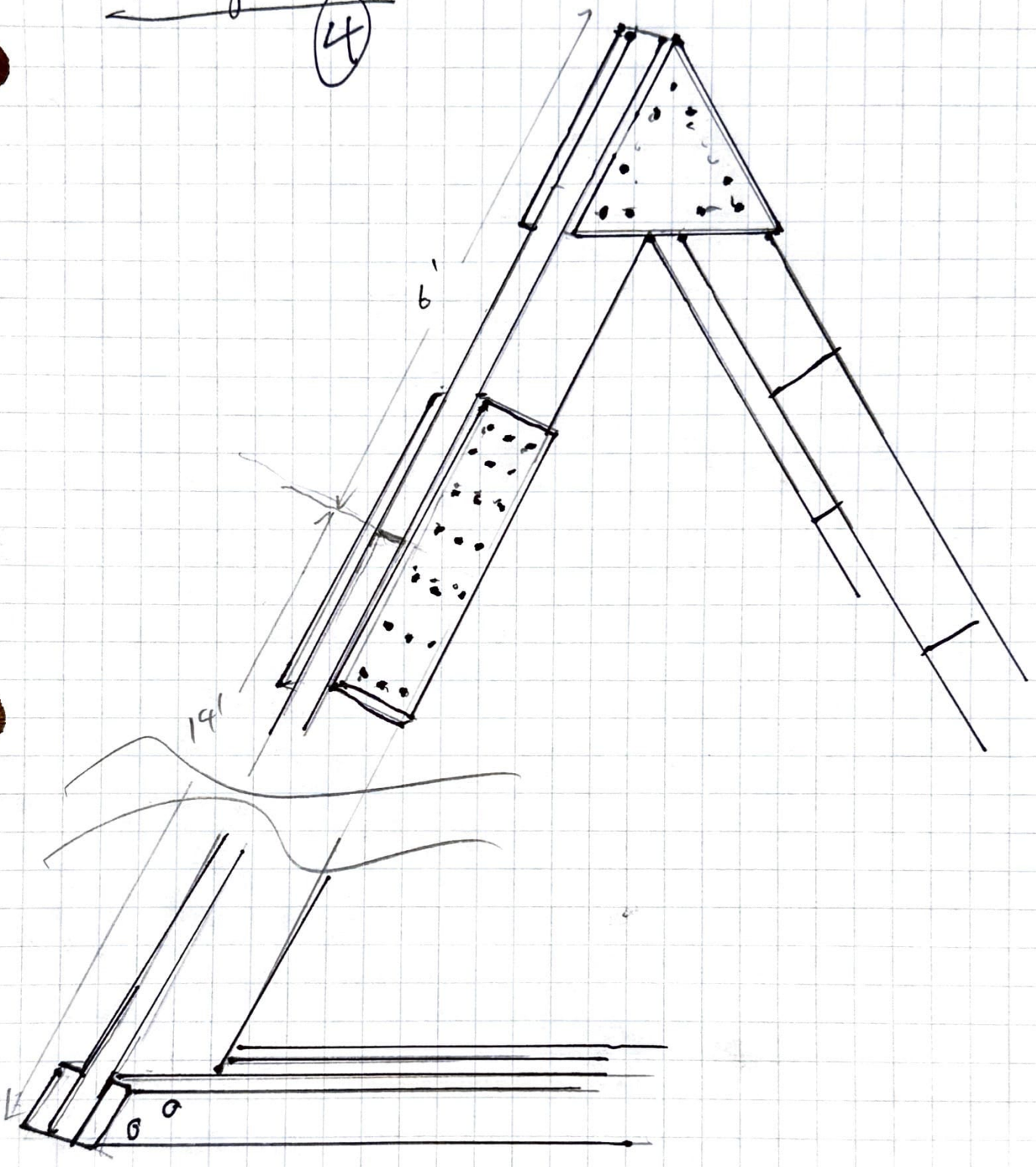


Trumps +2 (C)

[outside ends



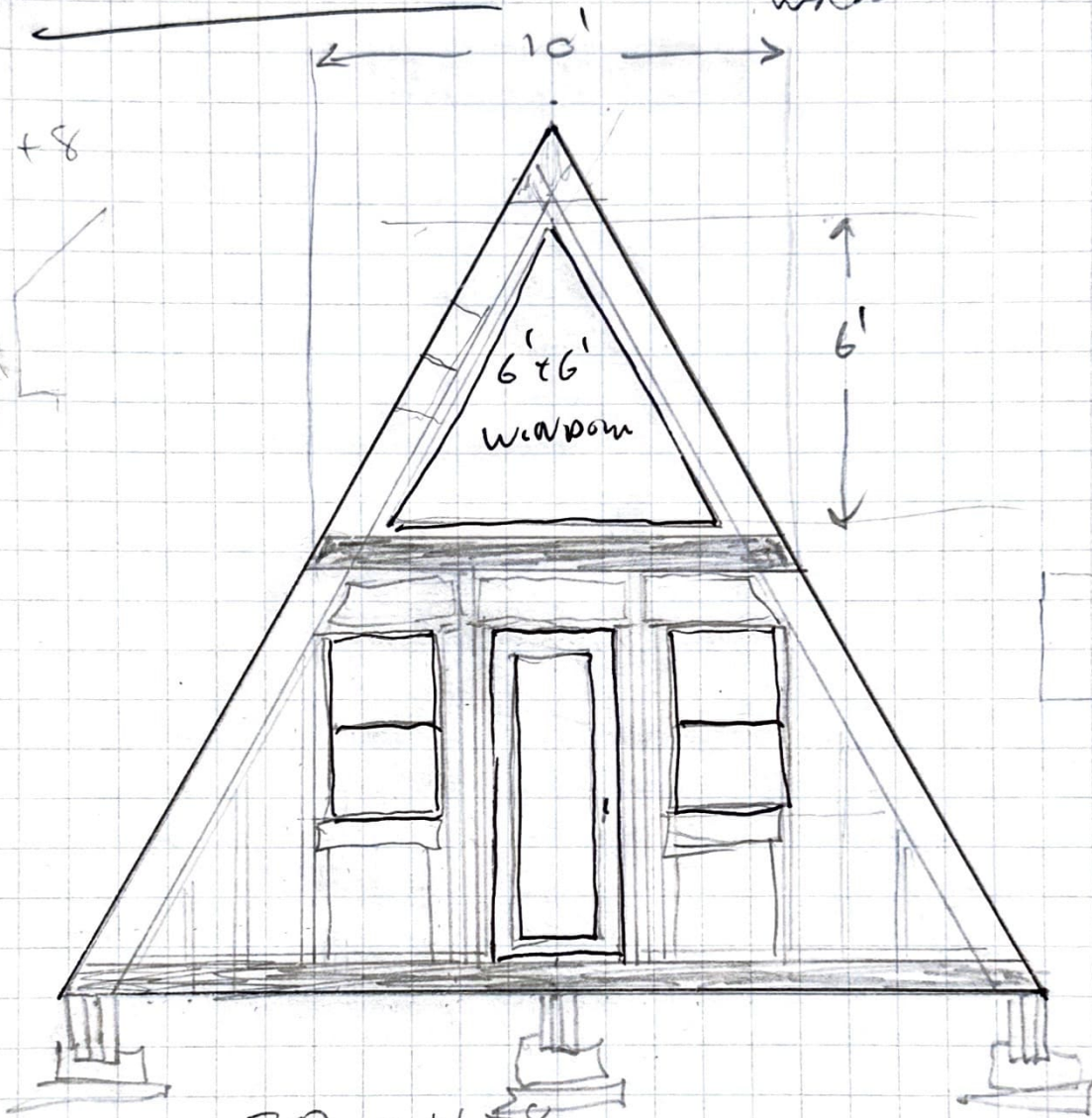
Troughs + ~~4~~ (D)
(4)



Ferris wheel

door 32 + 80
 window 30 + 44

5 + 8



20 2 + 6 + 8
 6 2 + 6 + 10
 4 4 + 8 ply

\$188.50

~128 sq ft side
 b + b
 ~200 sq ft
 ~8' + 8' side

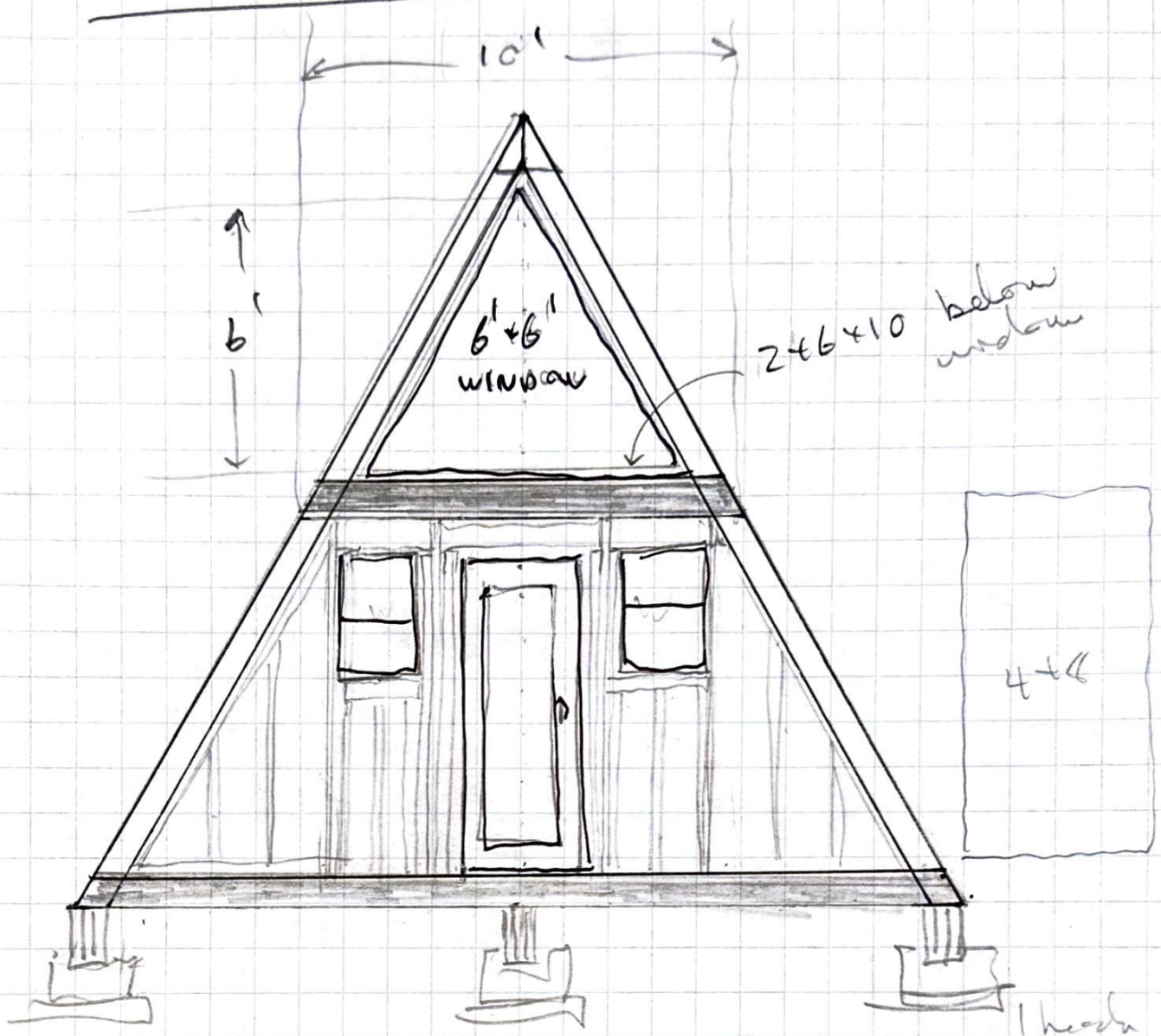
14' + 2
 24' + 1
 14' + 1

 70' tape

16 + 8 + 8

Back Wall

door 32x80
windows 24x36



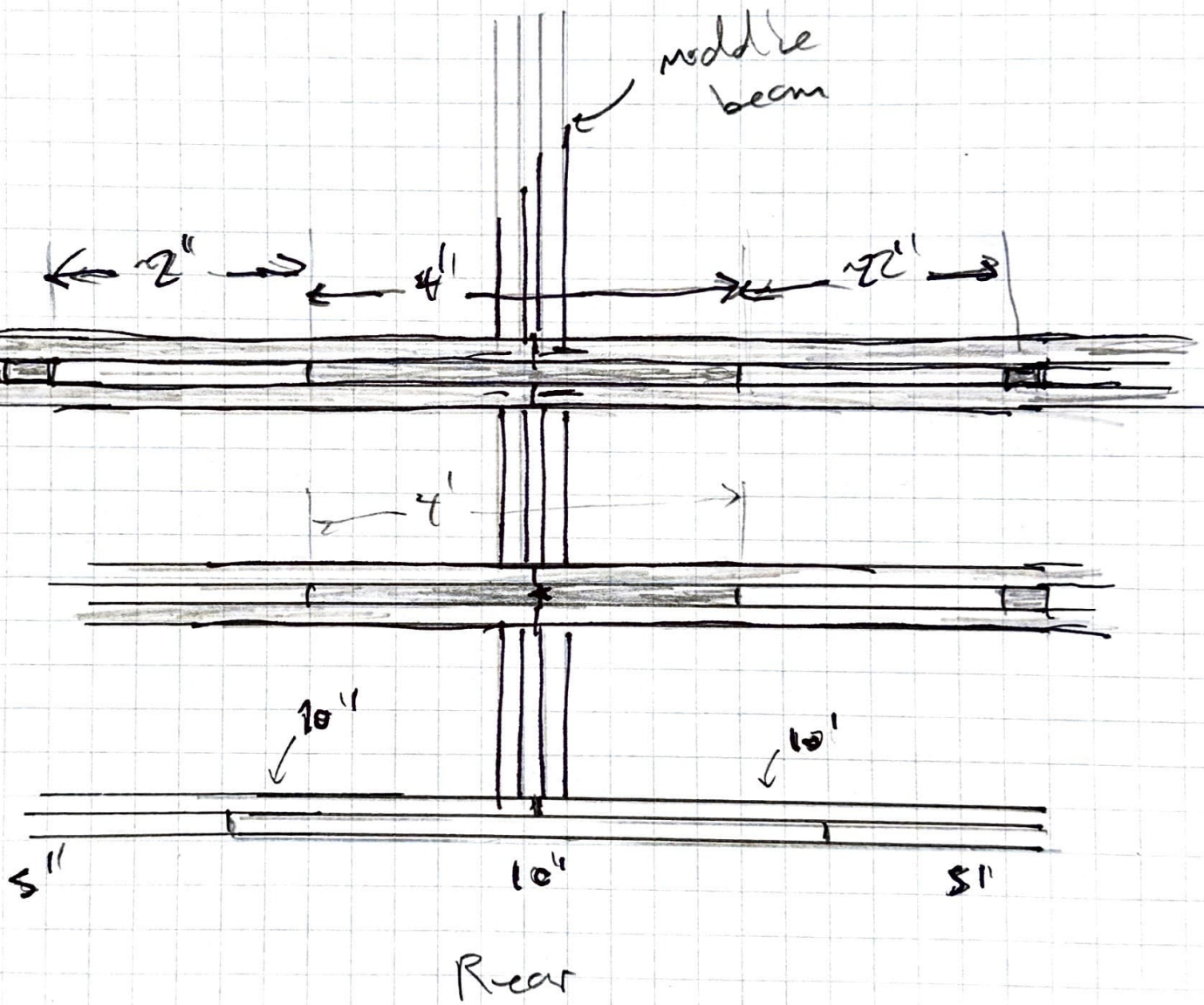
20 2x6x8
6 2x6x10
4 4x8 ply

2 b. on 10' full / 10' partial
2 top and sides 2
2 header

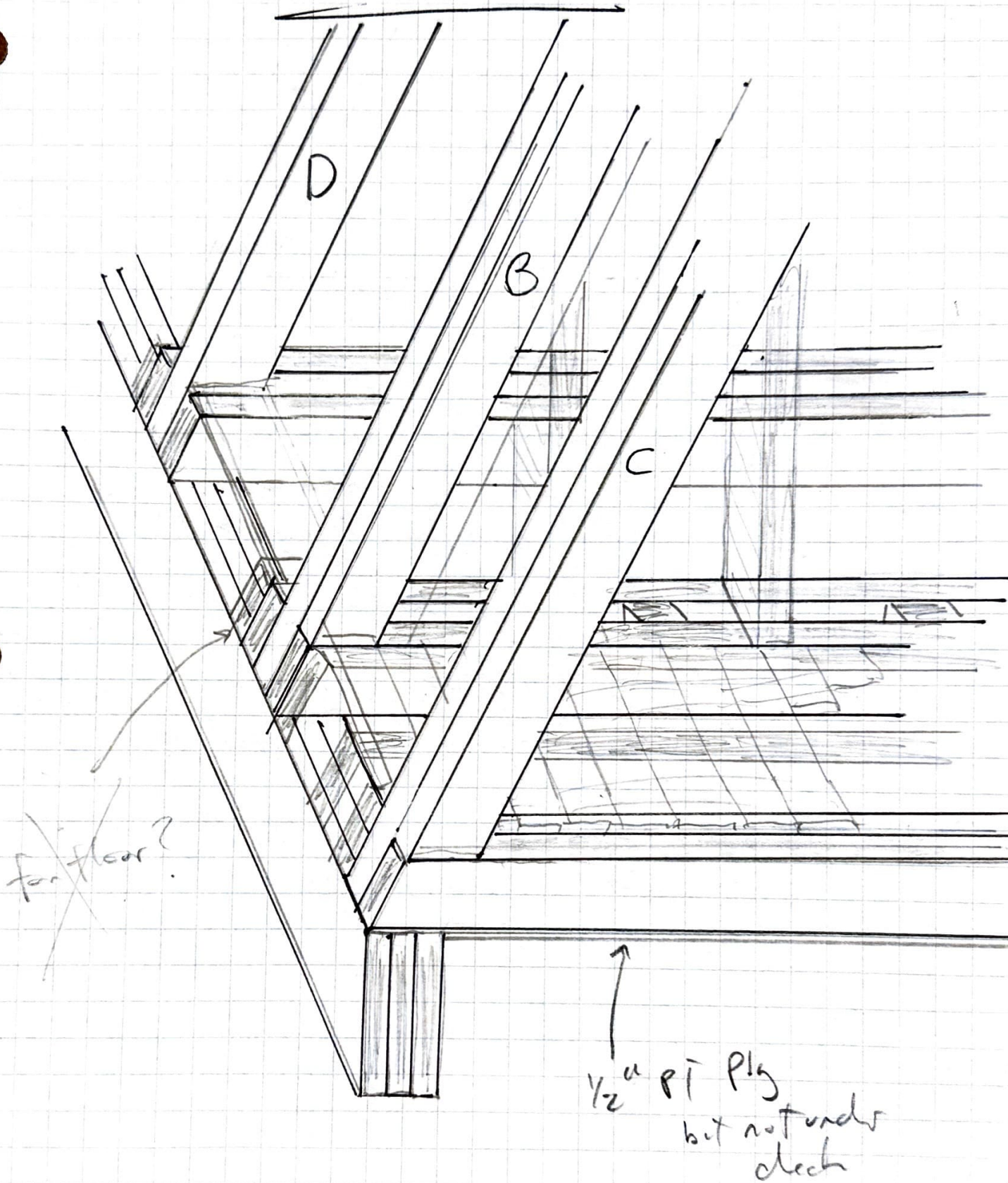
~ 8'x8' siding

66' type
16'x8' type

Center Floor Detail



Rear Bottom Detail



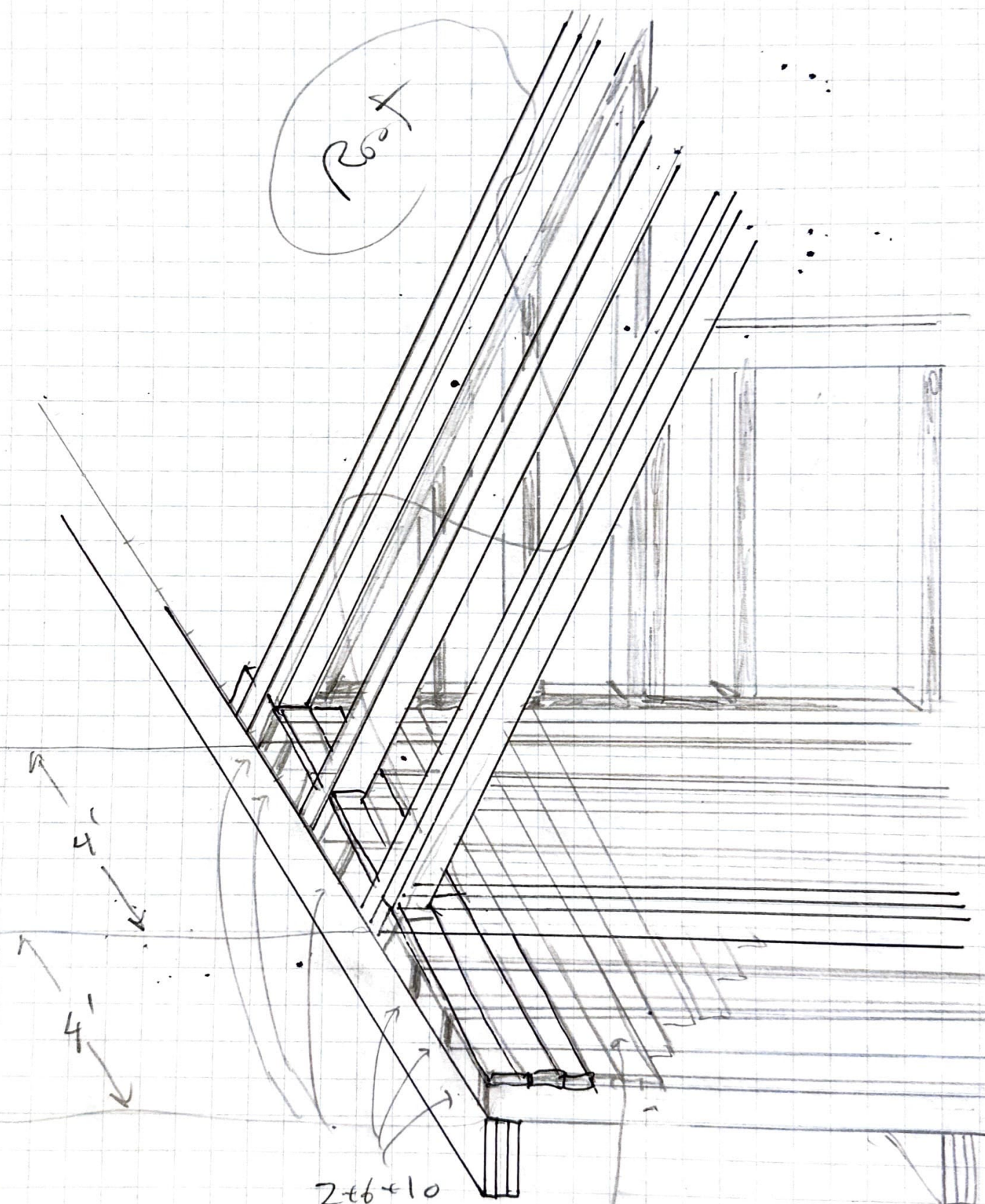
~~for floor?~~

↑
1/2" pI Plg
but not under
deck

Front Bottom Detail

...

Root



$2+b+10$

$1+b+\frac{3}{4} pnc$

32x80 Shed Door x 2
 30x44 windows x 2
 30x24 window x 2

